

Product: strip line **Circulator**



Part Number: LHX-HC3018-IN

Specification							
Model	Frequency Range(MHz)	Band Width (MHz)	Insert.Loss (dB) MAX	Isolation (dB) MIN	VSWR MAX	Power (W)	Operating Temp
SHC3018	750~1000	50/	0.6	18	1.30	50	-30~+70℃
	960~1215	full	0.8	14	1.50	50	-30~+70℃
	1000~1400	full	0.4	16	1.35	50	-55~+85℃
	1400~1700	full	0.4	20	1.25	50	-55~+85℃
	1700~2000	full	0.5	20	1.25	50	-55~+85℃
	2000~2400	full	0.2	20	1.2	50	-55~+85℃
	2500~3000	full	0.5	18	1.3	50	-55~+85℃
	3000~3500	full	0.5	18	1.30	50	-55~+85℃
	3500~4000	full	0.5	18	1.30	50	-55~+85℃
	4000~5000	full	0.5	18	1.30	30	-55~+85℃
	5000~6000	full	0.5	18	1.30	30	-55~+85℃
6000~11000	full	0.6	17	1.40	30	-55~+85℃	
Mechanical Specifications							
Housing	alloy						
Connector	Gold plated brass						
Contact:	copper						
Rohs	compliant						
Weight	0.1kg						

## Outline Drawing:

All Dimensions in mm

Tolerances : Unnoted tolerances are in class m of GB-T1804-2000

All Connectors: stripline

成都利德尔科技有限公司 ChengDu Leader Microwave Technology Co.,Ltd

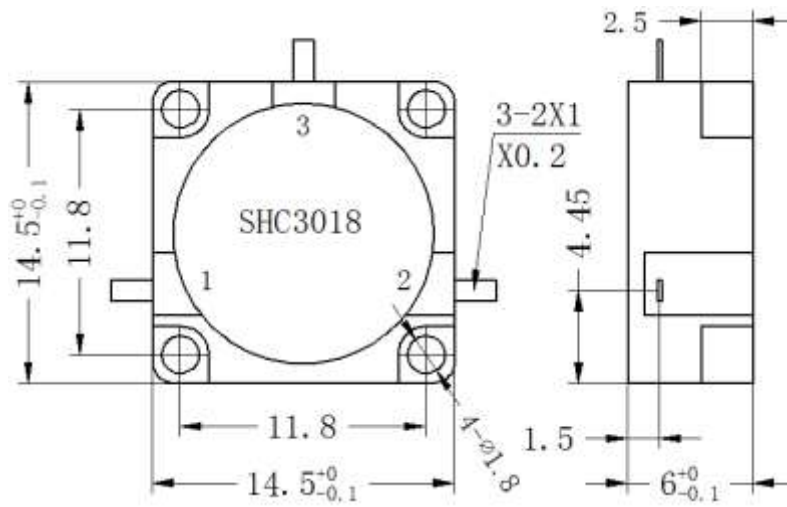
电话: 028-65199117 传真: 028-65199116

<http://www.leadermicrowave.com> [sales@leader-mw.com](mailto:sales@leader-mw.com)

TEL: +86-28-65199117 FAX: +86-28-65199116

Add: 中国 成都市成华区华翰路 89 号 610000

No.89,Huahan Road, chenghua Zone Chengdu, Sichuan China Zip Code:610000



Test data

成都利德尔科技有限公司 ChengDu Leader Microwave Technology Co.,Ltd

电话: 028-65199117 传真: 028-65199116

<http://www.leadermicrowave.com> [sales@leader-mw.com](mailto:sales@leader-mw.com)

TEL: +86-28-65199117 FAX: +86-28-65199116

Add: 中国 成都市成华区华翰路 89 号 610000

No.89,Huahan Road, chenghua Zone Chengdu, Sichuan China Zip Code:610000