

Product: 1-30Mhz bias Tee

Part Number: KBT0001S



Specification					
No.	Parameter	Minimum	Typical	Maximum	Units
1	Frequency range	1	-	30	MHz
2	Insertion Loss	-	-	1.0	dB
3	Voltage:	-	-	12	V
4	DC Current	-	-	0.5	A
5	VSWR	-	-	1.25	-
6	Operating Temperature Range	-40	-	+55	°C
7	Impedance	-	50	-	Ω
8	Connector	SMA-F			

Environmental Specifications	
Operational Temperature	-40°C~+85°C
Storage Temperature	-50°C~+105°C
Altitude	30,000 ft. (Epoxy Sealed Controlled environment)
	60,000 ft. 1.0psi min (Hermetically Sealed Un-controlled environment) (Optional)
Vibration	25gRMS (15 degrees 2KHz) endurance, 1 hour per axis
Humidity	100% RH at 35°C, 95%RH at 40°C
Shock	20G for 11msec half sine wave, 3 axis both directions
Mechanical Specifications	
Housing	Aluminum
Connector	Ternary alloy
Female Contact:	gold plated beryllium brass
Rohs	compliant
Weight	0.1kg

Outline Drawing:

All Dimensions in mm

Outline Tolerances ± 0.5(0.02)

成都利德尔科技有限公司 ChengDu Leader Microwave Technology Co.,Ltd

电话: 028-65199117 传真: 028-65199116

<http://www.leadermicrowave.com> sales@leader-mw.com

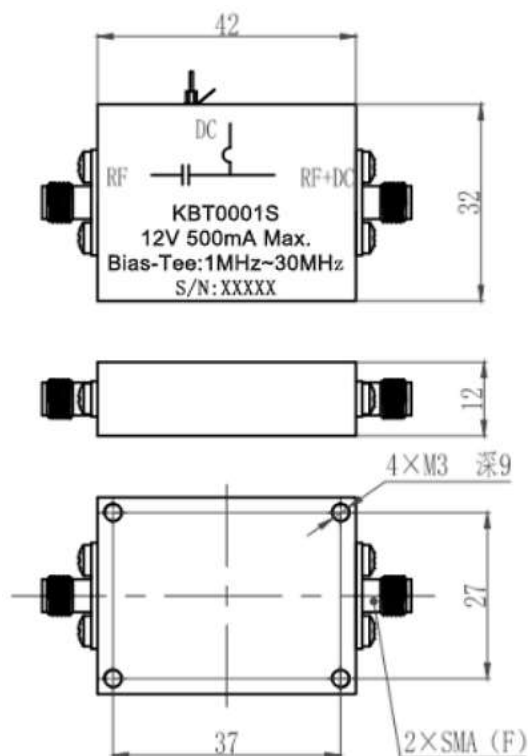
TEL: +86-28-65199117 FAX: +86-28-65199116

Add: 中国 成都市成华区华翰路 89 号 610000

No.89,Huahan Road, chenghua Zone Chengdu, Sichuan China Zip Code:610000

Mounting Holes Tolerances $\pm 0.2(0.008)$

All Connectors: SMA-Female



成都利德尔科技有限公司 ChengDu Leader Microwave Technology Co.,Ltd

电话: 028-65199117 传真: 028-65199116

<http://www.leadermicrowave.com> sales@leader-mw.com

TEL: +86-28-65199117 FAX: +86-28-65199116

Add: 中国 成都市成华区华翰路 89 号 610000

No.89,Huahan Road, chenghua Zone Chengdu, Sichuan China Zip Code:610000