

Product: 30Khz-40GHz bias Tee

Part Number: KBT0040292



Specification					
No.	Parameter	Minimum	Typical	Maximum	Units
1	Frequency range	30Khz	-	40Ghz	
2	Insertion Loss	-	1.5		dB
3	Voltage:	-	-	25	V
4	DC Current	-	-	0.75	A
5	VSWR	-	1.6	2.5	-
6	Isolation				dB
7	Operating Temperature Range	-40	-	+70	°C
8	Impedance	-	50	-	Ω
9	Connecter	RF In: 2.92 (M); RFDC Out: 2.92 (F); DC: SMA (F)			
10	Finishing	Gold Plating			

Environmental Specifications	
Operational Temperature	-40°C~+85°C
Storage Temperature	-50°C~+105°C
Altitude	30,000 ft. (Epoxy Sealed Controlled environment)
	60,000 ft. 1.0psi min (Hermetically Sealed Un-controlled environment) (Optional)
Vibration	25gRMS (15 degrees 2KHz) endurance, 1 hour per axis
Humidity	100% RH at 35°C, 95%RH at 40°C
Shock	20G for 11msec half sine wave,3 axis both directions
Mechanical Specifications	
Housing	Copper
Connector	Ternary alloy
Female Contact:	gold plated beryllium brass
Rohs	compliant
Weight	40g

Outline Drawing:

成都利德尔科技有限公司 ChengDu Leader Microwave Technology Co.,Ltd

电话: 028-65199117 传真: 028-65199116

<http://www.leadermicrowave.com> [sales@leader-mw.com](mailto:sales@leader-mw.com)

TEL: +86-28-65199117 FAX: +86-28-65199116

Add: 中国 成都市成华区华翰路 89 号 610000

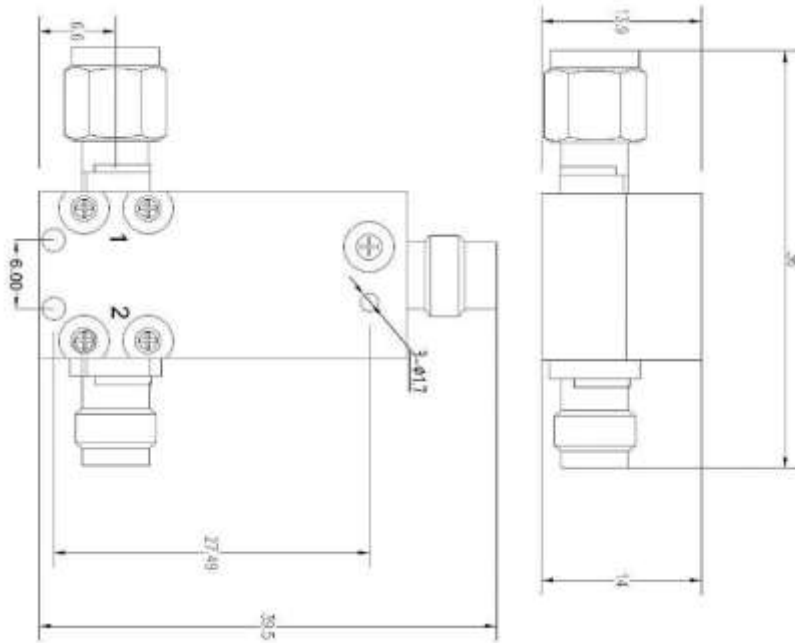
No.89,Huahan Road, chenghua Zone Chengdu, Sichuan China Zip Code:610000

All Dimensions in mm

Outline Tolerances  $\pm 0.5(0.02)$

Mounting Holes Tolerances  $\pm 0.2(0.008)$

All Connectors: RF In: 2.92 (M); RFDC Out: 2.92 (F); DC: SMA (F)



成都利德尔科技有限公司 ChengDu Leader Microwave Technology Co.,Ltd

电话: 028-65199117 传真: 028-65199116

<http://www.leadermicrowave.com> [sales@leader-mw.com](mailto:sales@leader-mw.com)

TEL: +86-28-65199117 FAX: +86-28-65199116

Add: 中国 成都市成华区华翰路 89 号 610000

No.89,Huahan Road, chenghua Zone Chengdu, Sichuan China Zip Code:610000