

Product: Directional Coupler

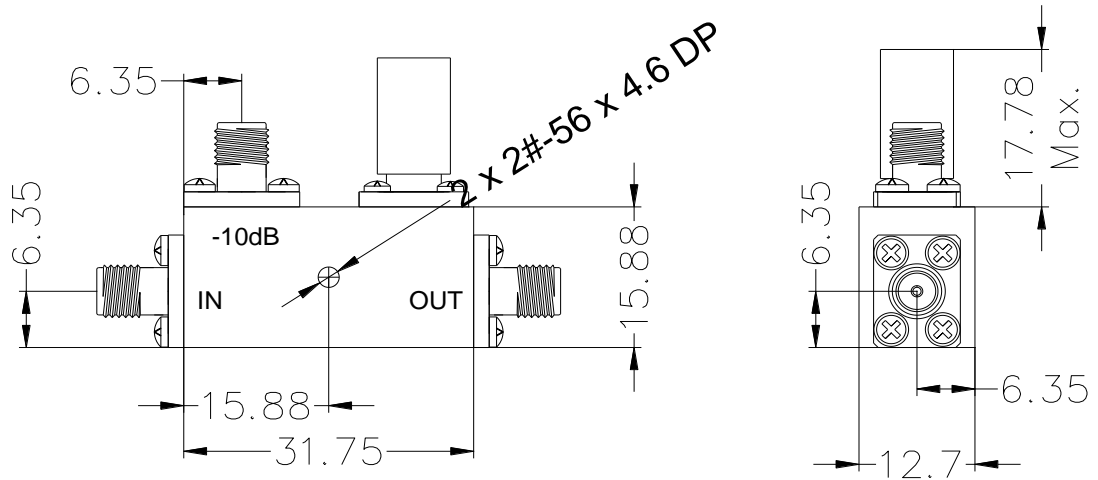
Part Number: LDC-10/40-10S

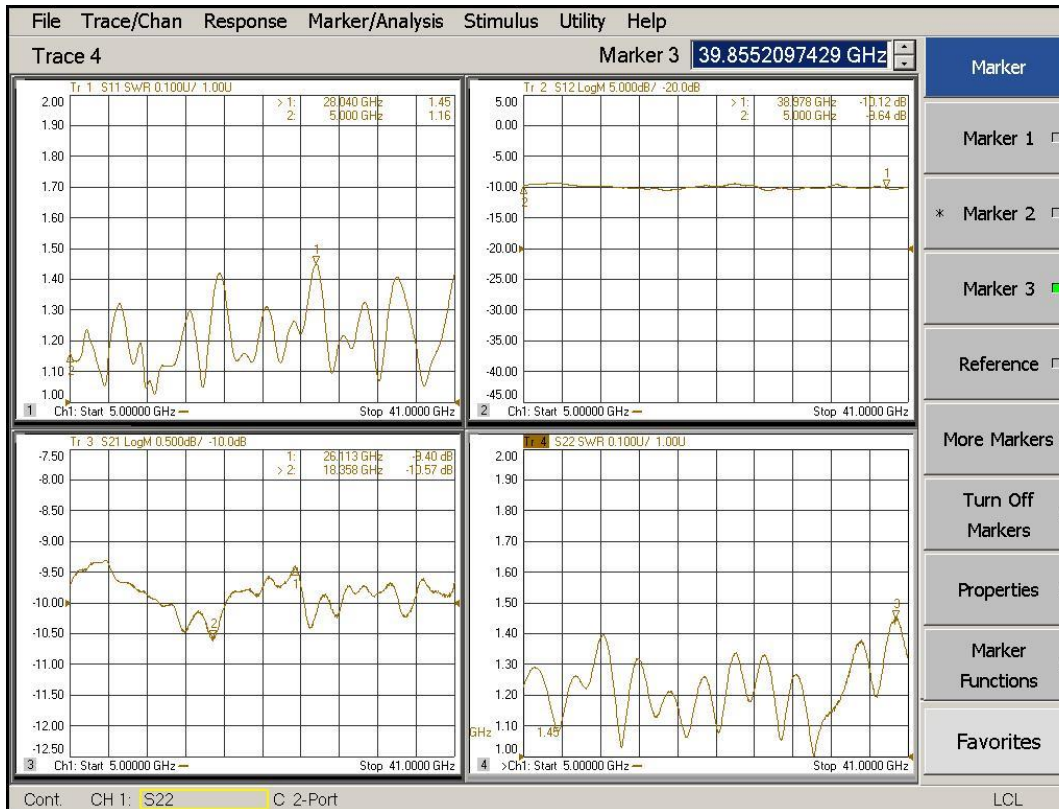
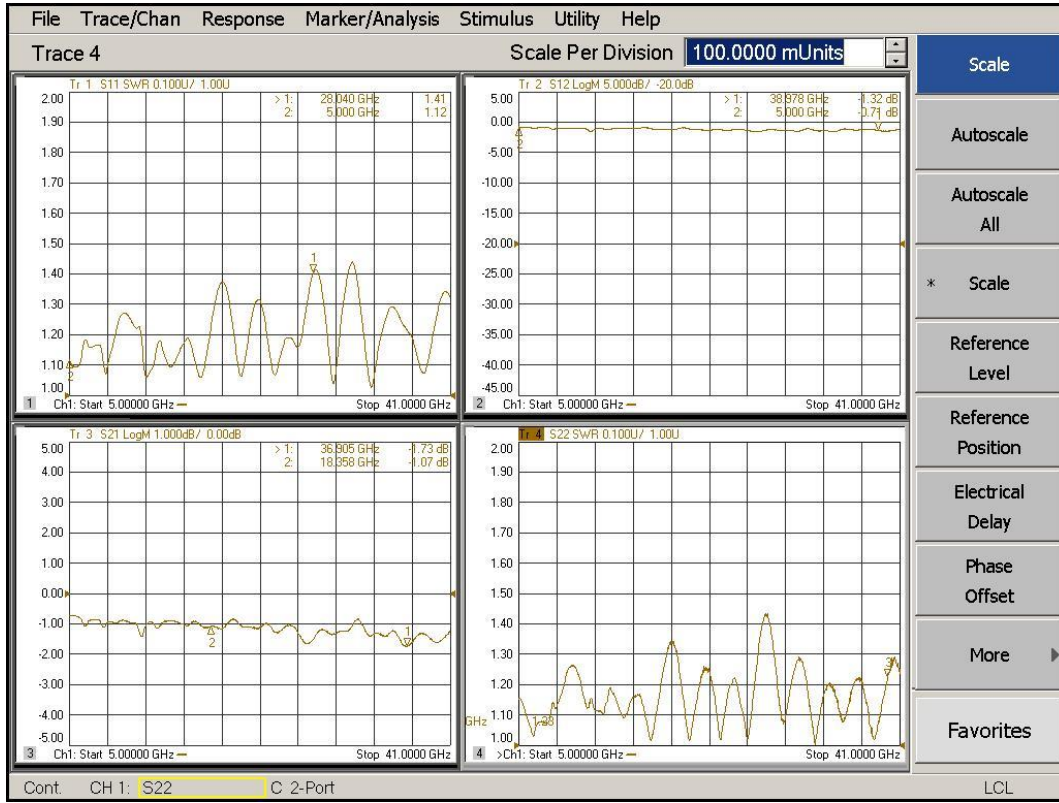
No.	Parameter	Minimum	Typical	Maximum	Units
1	Frequency range	10		40	GHz
2	Nominal Coupling		10		dB
3	Coupling Accuracy			±1.0	dB
4	Coupling Sensitivity to Frequency		±0.5	±0.7	dB
5	Insertion Loss			1.6	dB
6	Directivity	10	12		dB
7	VSWR			1.6	:1
8	Power			20	W
9	Operating Temperature Range	-40		+85	°C
10	Impedance	-	50	-	Ω

Outline Drawing:

All Dimensions in mm

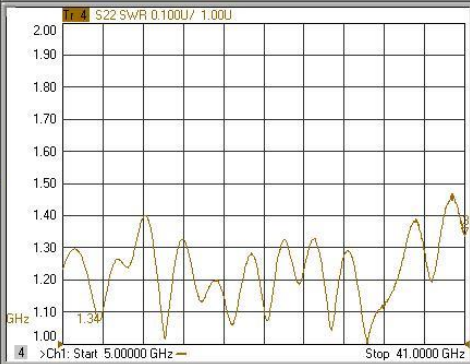
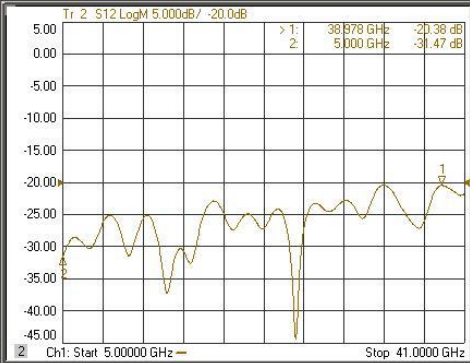
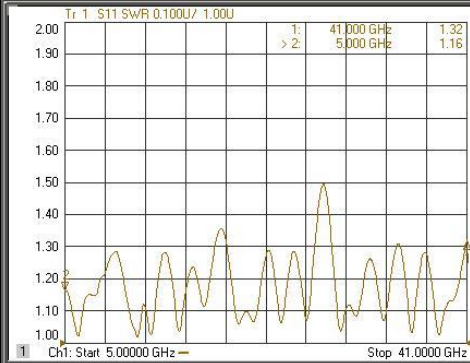
All Connectors: 2.92mm-Female





Trace 4

Reference Level 1.0000 Units



Cont. CH 1: S22 C 2-Port

Scale

Autoscale

Autoscale All

Scale

Reference Level

Reference Position

Electrical Delay

Phase Offset

More

Favorites

LCL

