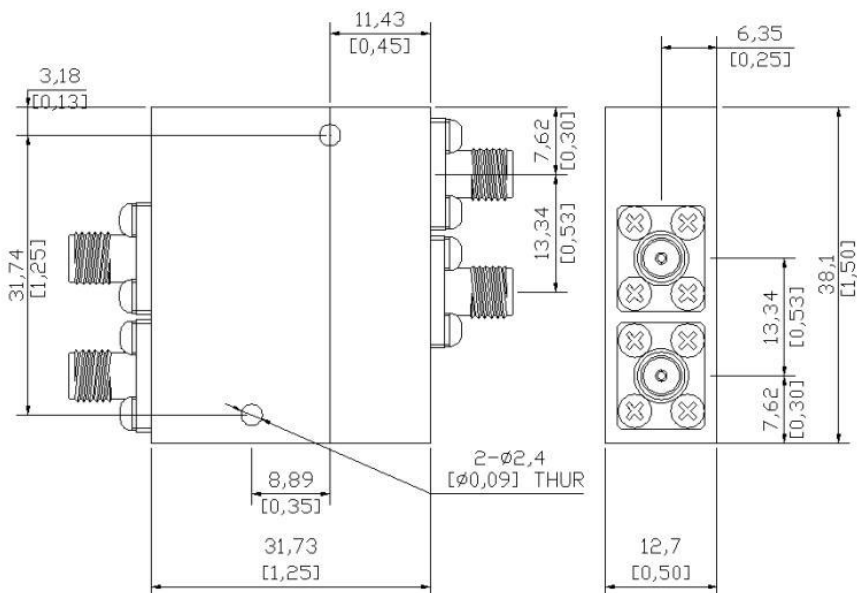


## LDC-12/18-180S

### 180 Degree 3dB Bridge

- Frequency Range: 12~18GHz
- Insertion Los  $\leq 1.8$
- Phase Balance:  $\pm 5$  Degrees
- Amplitude Balance  $\pm 0.8$
- VSWR:  $\leq 1.5 : 1$
- Isolation:  $\geq 15$ dB
- Impedance: 50 OHMS
- Port Connectors: SMA-Female
- Power Handling: 10Watt
- Operating Temperature:  $-45^{\circ}\text{C}$  to  $+85^{\circ}\text{C}$



成都利德尔科技有限公司 ChengDu Leader Microwave Technology Co.,Ltd

电话: 028-65199117 传真: 028-65199116

<http://www.leader-mw.com> [Leader-mw@hotmail.com](mailto:Leader-mw@hotmail.com)

TEL: +86-28-65199117 FAX: +86-28-65199116

Add: 中国 成都市成华区华翰路 89 号 610000

No.89,Huahan Road, chenghua Zone Chengdu, Sichuan China Zip Code:610000