

LDDC-6/-18-40N-500w-1

Product: 40dB Dual Directional Coupler

Part Number:

No.	Parameter	Minimum	Typical	Maximum	Units
1	Frequency range	6	-	18	GHz
2	Nominal Coupling			40±1	dB
3	flatness	-			dB
4	Insertion Loss		0.5	0.6	dB
5	Directivity	10		-	dB
6	VSWR – Main Line Ports	-		1.3	-
7	VSWR – Secondary Ports	1.5		1.7	
7	Average Power Handling	350		500	W cw
	Peak Power Handling	2500			w
8	Operating Temperature Range	-45	-	+85	°C
9	Impedance	-	50	-	Ω

Outline Drawing:

All Dimensions in mm

All Connectors: N-Female SMA-F

成都利德尔科技有限公司 ChengDu Leader Microwave Technology Co.,Ltd

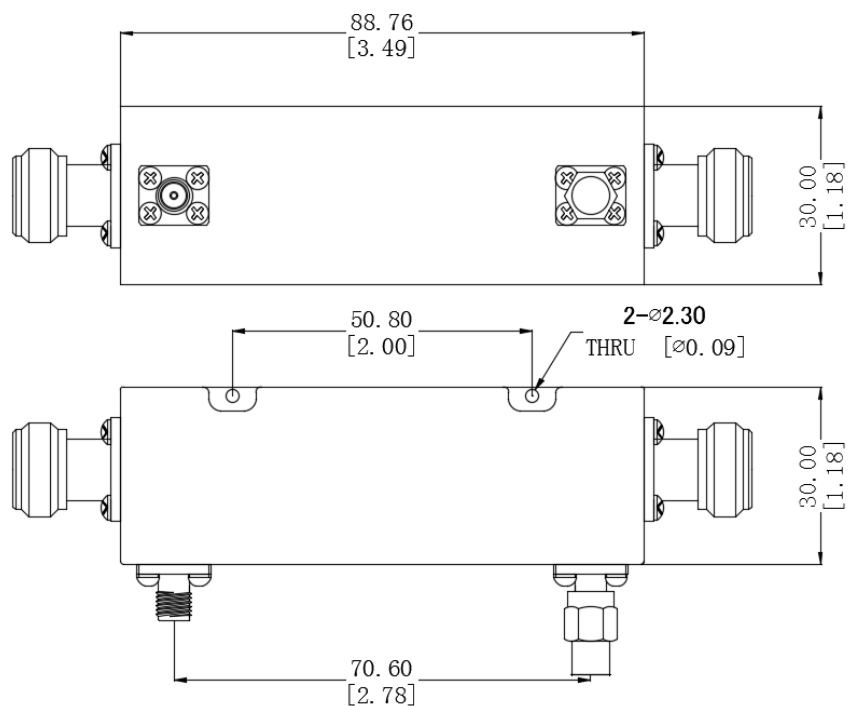
电话: 028-65199117 传真: 028-65199116

<http://www.leader-mw.com> Leader-mw@hotmail.com

TEL: +86-28-65199117 FAX: +86-28-65199116

Add: 中国 成都市成华区华翰路 89 号 610000

No.89,Huahan Road, chenghua Zone Chengdu, Sichuan China Zip Code:610000



成都利德尔科技有限公司 ChengDu Leader Microwave Technology Co.,Ltd

电话: 028-65199117 传真: 028-65199116

<http://www.leader-mw.com> Leader-mw@hotmail.com

TEL: +86-28-65199117 FAX: +86-28-65199116

Add: 中国 成都市成华区华翰路 89 号 610000

No.89,Huahan Road, chenghua Zone Chengdu, Sichuan China Zip Code:610000