

LFZ-DC/12.4-10W-N

Termination

LEADER-MW	Specifications
Item	Specification
Frequency range	DC ~ 12.4GHz
Impedance (Nominal)	50Ω
Power rating	10Watt@25°C
Peak Power(5 μs)	5 KW
V.S.W.R (Max)	1.15-1.4
Connector type	N-M
dimension	Φ30*69.5mm
Temperature Range	-55°C~ 125°C
Weight	0.1Kg
Colour	BLACK
LEADER-MW	Mechanical

Housing	Aluminum blackening
Connector	Ternary alloy plated brass
RoHs	compliant
Male contact	Gold plated brass

成都利德尔科技有限公司 ChengDu Leader Microwave Technology Co.,Ltd

电话: 028-65199117 传真: 028-65199116

http://www.leader-mw.com Leader-mw@hotmail.com

TEL: +86-28-65199117 FAX: +86-28-65199116

Add:中国 成都市成华区华翰路 89 号 610000

No.89,Huahan Road, chenghua Zone Chengdu, Sichuan China Zip Code:610000



ISO9001:2008 质量认证
ISO14001:2004 环境认证

S/N: SF180503

技术文件 Technical Specifications Rev:A0

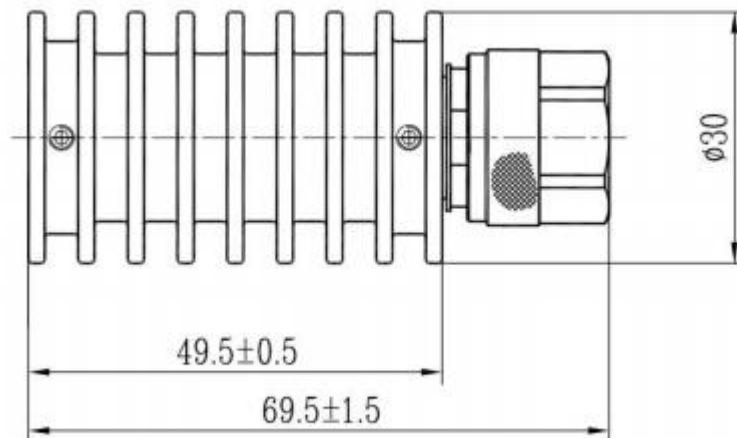
利德尔

LEADER-MW	VSWR
Frequency	VSWR
DC-4Ghz	1.15
DC-8Ghz	1.25
DC-12.4Ghz	1.35
DC-18Ghz	1.4

All Dimensions in mm

All Connectors:N-M

Tolerance: $\pm 0.3\text{MM}$



成都利德尔科技有限公司 ChengDu Leader Microwave Technology Co.,Ltd

电话: 028-65199117 传真: 028-65199116

http://www.leader-mw.com Leader-mw@hotmail.com

TEL: +86-28-65199117 FAX: +86-28-65199116

Add:中国 成都市成华区华翰路 89 号 610000

No.89,Huahan Road, chenghua Zone Chengdu, Sichuan China Zip Code:610000