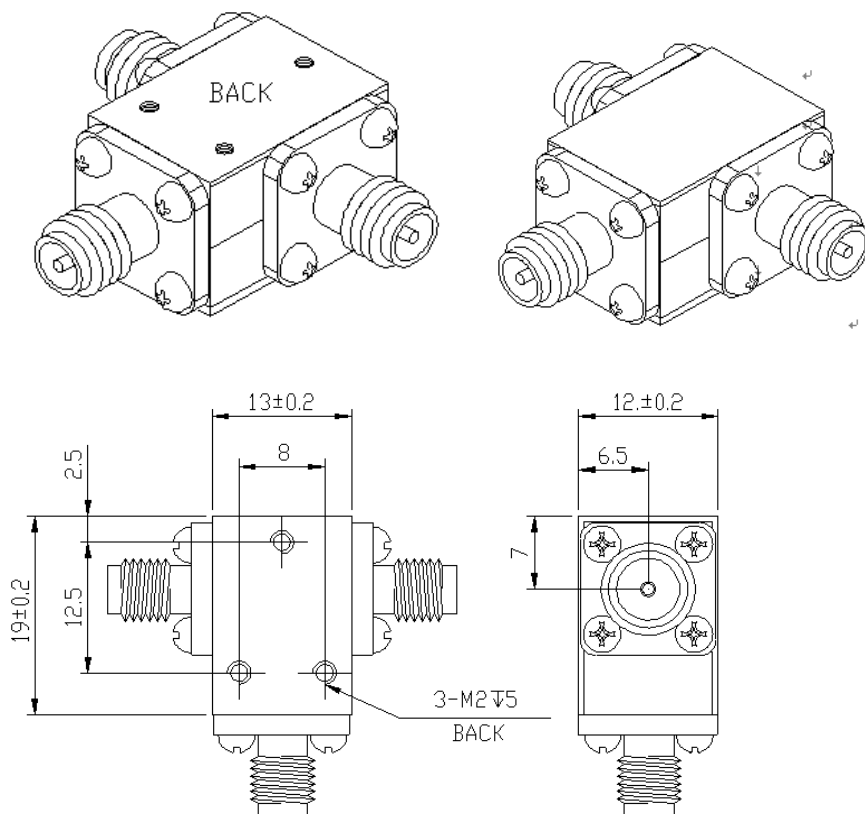




利德尔

LHX- (8-10) -SMA -K Circulator specification

NO	(Items)	(Specifications)
1	(Frequency Range)	8-10GHz
2	(Insertion Loss)	$\leq 0.5\text{dB}$
3	(VSWR)	≤ 1.35
4	(Isolation)	$\geq 18\text{dB}$
5	(Port Connectors)	SMA-Female
6	(Power Handling)	30W
7	(Impedance)	50 Ω
8	(Direction)	(\leftarrow Anticlockwise) (\rightarrow Clockwise)
9	(Configuration)	As Below



成都利德尔科技有限公司 ChengDu Leader Microwave Technology Co.,Ltd

电话: 028-65199117 传真: 028-65199116

<http://www.leader-mw.com> Leader-mw@hotmail.com

TEL: +86-28-65199117 FAX: +86-28-65199116

Add: 中国 成都市成华区华翰路 89 号 610000

No.89,Huahan Road, chenghua Zone Chengdu, Sichuan China Zip Code:610000