



leader-mw

ISO9001:2008 质量认证
ISO14001:2004 环境认证

技术文件 Technical Specifications Rev:A0

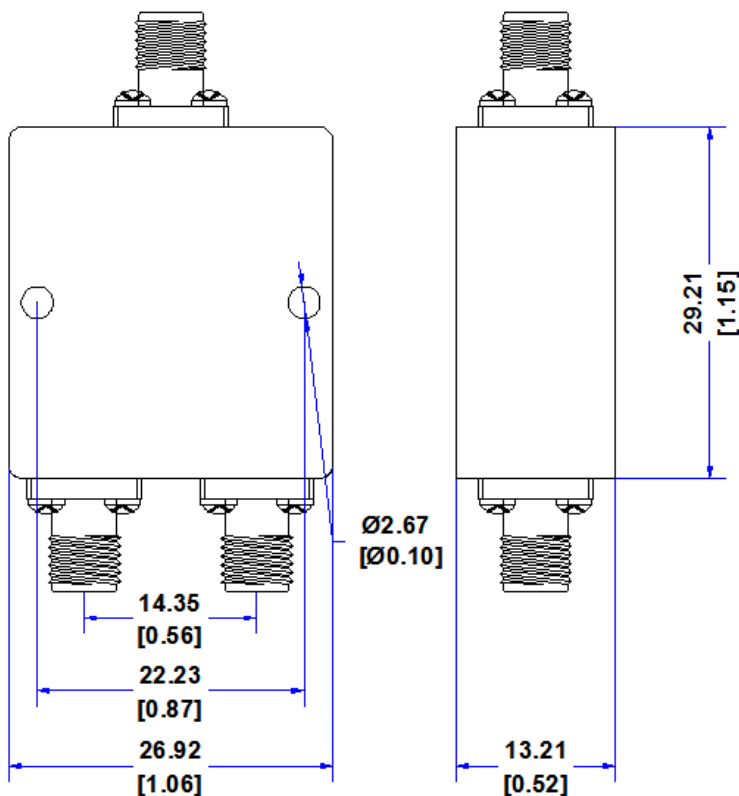
利德尔

LPD-10/40-2S

Power Divider

Specifications

- Frequency Range: 10~40GHz
- Insertion Loss: $\leq 2.1\text{dB}$ (18-40GHz)
 $\leq 1.5\text{dB}$ (10-18GHz)
- Amplitude Balance: $\leq \pm 0.6\text{dB}$
- Phase Balance: $\leq \pm 6\text{deg}$
- VSWR: $\leq 1.5 : 1$
- Isolation: $\geq 18\text{dB}$
- Impedance: 50 OHMS
- Port Connectors: 2.92MM-Female
- Power Handling: 20Watt



.,Ltd

电话: 028-65199117 传真: 028-65199116

<http://www.leader-mw.com> Leader-mw@hotmail.com

TEL: +86-28-65199117 FAX: +86-28-65199116

Add: 中国 成都市成华区华翰路 89 号 610000

No.89,Huahan Road, chenghua Zone Chengdu, Sichuan China Zip Code:610000