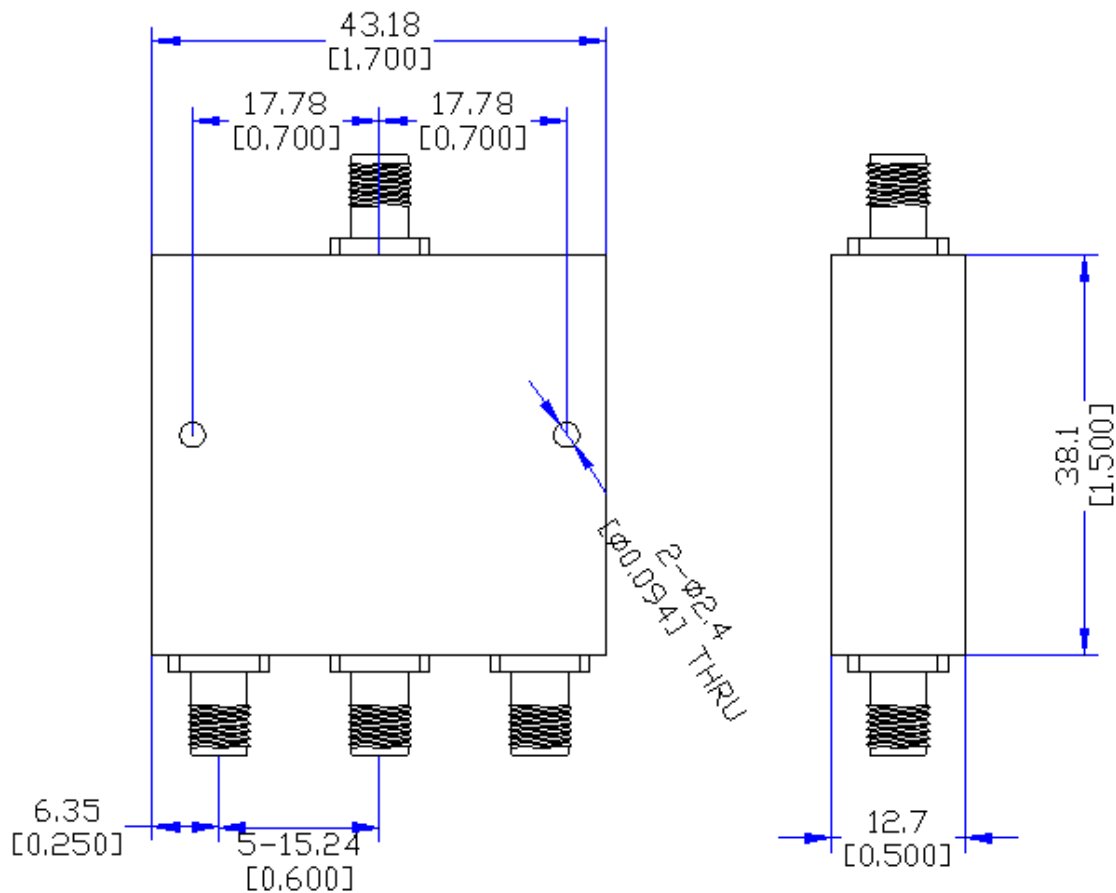


LPD-7.5/42-3S

Power Divider

Specifications

- Frequency Range: 7500~42000MHz
- Insertion Loss: $\leq 2.0\text{dB}$
- Amplitude Balance: $\leq \pm 0.7\text{dB}$
- Phase Balance: $\leq \pm 5\text{ deg}$
- VSWR: $\leq 1.70 : 1$
- Isolation: $\geq 16\text{dB}$
- Impedance: 50 OHMS
- Port Connectors: 2.92-Female
- Power Handling: 10 Watt
- Surface Color: Black



电话: 028-65199117 传真: 028-65199116

<http://www.leader-mw.com> Leader-mw@hotmail.com

TEL: +86-28-65199117 FAX: +86-28-65199116

Add: 中国 成都市成华区华翰路 89 号 610000

No.89,Huahan Road, chenghua Zone Chengdu, Sichuan China Zip Code:610000