

Product: Coaxial switch

Part Number: LSP3T-6T18Ghz

Normally open

- DC to 18GHz
- Low loss, Low VSWR, High Isolation • SMA Connector
- Selectable TTL driver control



Specification					
No.	Frequency(Ghz)	Insertion loss(dB)	Isolation(dB)	VSWR	Powercw(w)
1	DC-6	0.3	70	1.3	80
2	6-12	0.4	60	1.4	60
3	12-18	0.5	60	1.5	50
Operating Voltage/Coil Current					
No.	Operating Voltage(V)		I2	24	28
1	Coil Current (mA)	Normally open	300	150	140
No.	TTL	TTL Low (v)	TTL high (v)		
2		0-0.3	3-5	1.4mA	
No.	Indicators	Withstand Voltage V (max)	Current capacity mA(max)		Resistance Ω (max)
3		50	100		15

Remarks:

Operating Voltage/Coil Current can be selected according to user requirements. Connect VDC &GND before the function operates

Environmental Specifications			
Switching Sequence:	Break before Make	Switching Time:	15ms max
Storage temperature:	-55℃~85℃	Mechanical Life Cycles:	2 million cycles
Operating temperature:	-25℃~65℃(Standard)	RF Connectors:	SMA Female
	-45℃ ~85℃(Extended1)	Weight:	145g
Impedance:	50Ω	Mechanical Shock,	50G、1/2 Sine、11 ms
		Non-Operating:	
Vibration Operating:	20-2000 Hz、10G RMS	Actuator Terminals:	D-SUB 15/26Pin Male

成都利德尔科技有限公司 Cheng Du Leader Microwave Technology Co.,Ltd

电话: 028-65199117 传真: 028-65199116

<http://www.leader-mw.com> sales@leader-mw.com

TEL: +86-28-65199117 FAX: +86-28-65199116

Add: 中国 成都市成华区华翰路 89 号 610000

No.89,Huahan Road, chenghua Zone Chengdu, Sichuan China Zip Code:610000

Mechanical Specifications

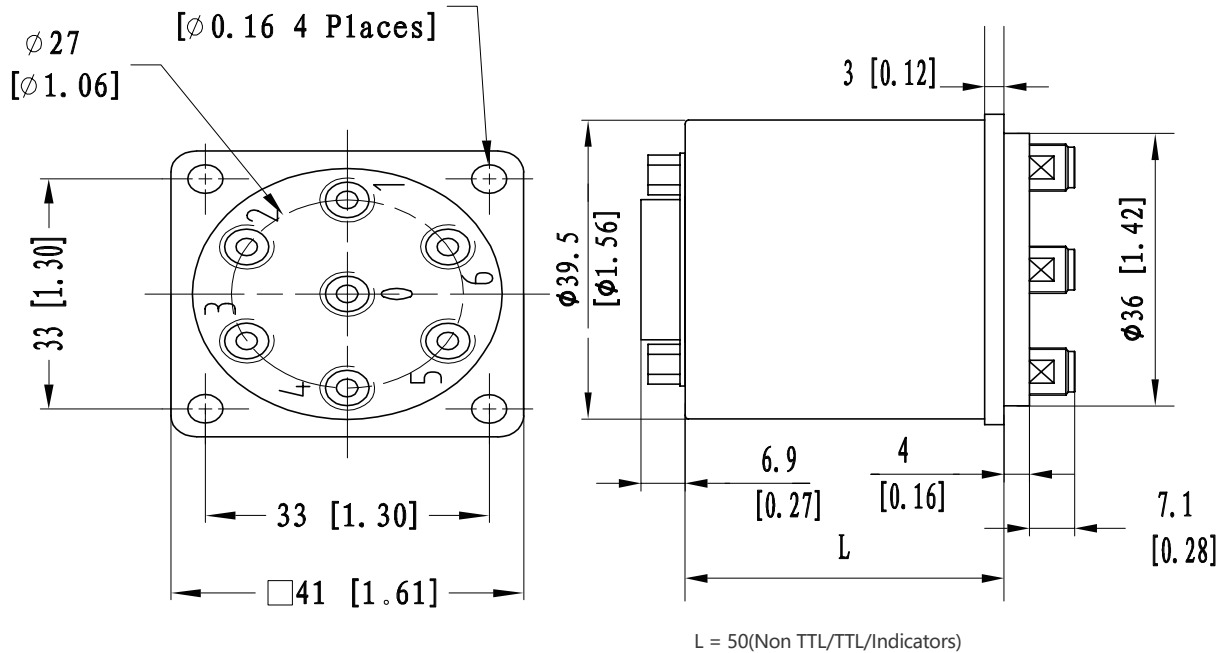
Outline Drawing:

All Dimensions in mm (inch)

Outline Tolerances $\pm 0.5(0.02)$

Mounting Holes Tolerances $\pm 0.2(0.008)$

All Connectors: SMA-Female



成都利德尔科技有限公司 Cheng Du Leader Microwave Technology Co.,Ltd

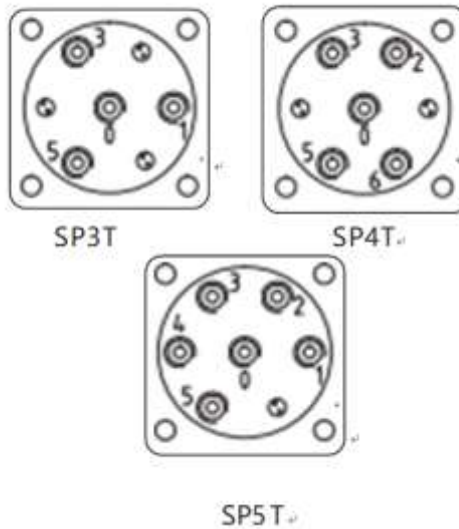
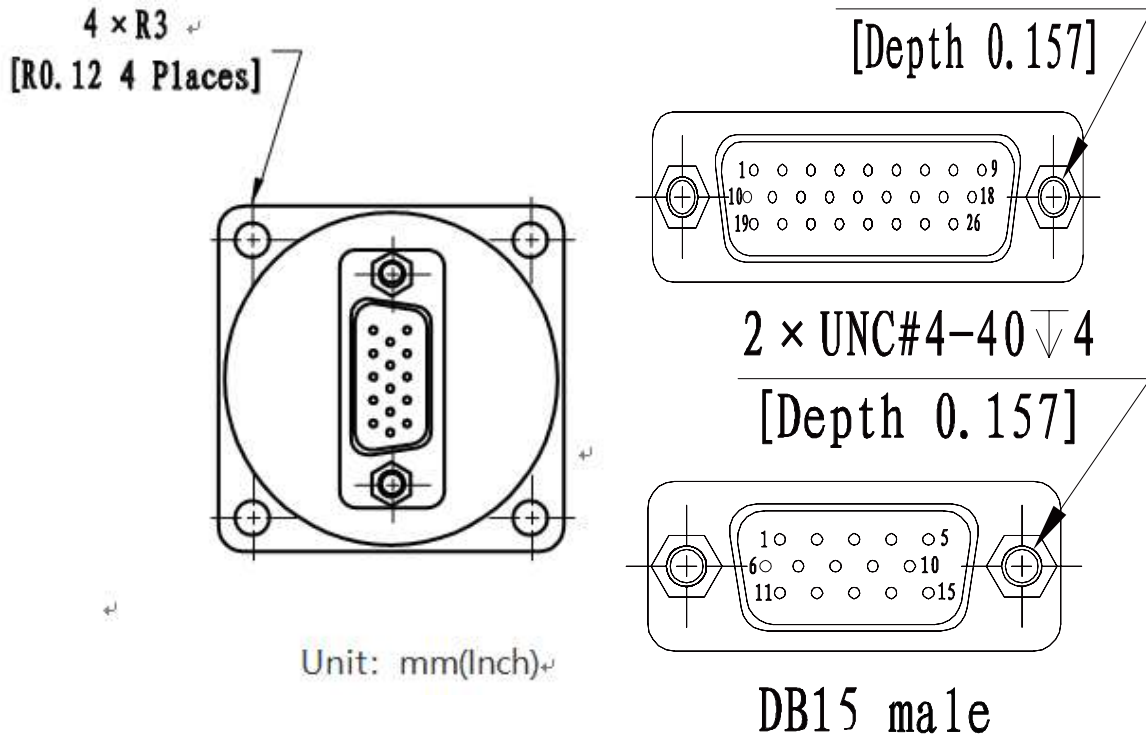
电话: 028-65199117 传真: 028-65199116

<http://www.leader-mw.com> sales@leader-mw.com

TEL: +86-28-65199117 FAX: +86-28-65199116

Add: 中国 成都市成华区华翰路 89 号 610000

No.89,Huahan Road, chenghua Zone Chengdu, Sichuan China Zip Code:610000



Note: No indication function, control interface DB15 Male.

成都利德尔科技有限公司 Cheng Du Leader Microwave Technology Co.,Ltd

电话: 028-65199117 传真: 028-65199116

<http://www.leader-mw.com> sales@leader-mw.com

TEL: +86-28-65199117 FAX: +86-28-65199116

Add: 中国 成都市成华区华翰路 89 号 610000

No.89,Huahan Road, chenghua Zone Chengdu, Sichuan China Zip Code:610000

Truth Table

Normally open Non TTL						
Actuator Terminals			RF Connector			
D-SUB 15Pin Male						
Pin No.	Define		SP3T	SP4T	SP5T	SP6T
1	V1		RF 1-0	-	RF 1-0	RF 1-0
2	V2		-	RF 2-0	RF 2-0	RF 2-0
3	V3		RF 3-0	RF 3-0	RF 3-0	RF 3-0
4	V4		-	-	RF 4-0	RF 4-0
5	V5		RF 5-0	RF 5-0	RF 5-0	RF 5-0
6	V6		-	RF 6-0	-	RF 6-0
7	GND		-	-	-	-
8	Ind.1	Indicators	RF 1-0	-	RF 1-0	RF 1-0
9	Ind.2		-	RF 2-0	RF 2-0	RF 2-0
10	Ind.3		RF 3-0	RF 3-0	RF 3-0	RF 3-0
11	Ind.4		-	-	RF 4-0	RF 4-0
12	Ind.5		RF 5-0	RF 5-0	RF 5-0	RF 5-0
13	Ind.6		-	RF 6-0	-	RF 6-0
14	Ind.com		-	-	-	-
15	VDC		-	-	-	-

成都利德尔科技有限公司 Cheng Du Leader Microwave Technology Co.,Ltd

电话: 028-65199117 传真: 028-65199116

<http://www.leader-mw.com> sales@leader-mw.com

TEL: +86-28-65199117 FAX: +86-28-65199116

Add: 中国 成都市成华区华翰路 89 号 610000

No.89,Huahan Road, chenghua Zone Chengdu, Sichuan China Zip Code:610000

Normally open TTL						
Actuator Terminals			RF Connector			
D-SUB 15Pin Male						
Pin No.	Define		SP3T	SP4T	SP5T	SP6T
1	TTL		RF 1-0	-	RF 1-0	RF 1-0
2	TTL		-	RF 2-0	RF 2-0	RF 2-0
3	TTL		RF 3-0	RF 3-0	RF 3-0	RF 3-0
4	TTL		-	-	RF 4-0	RF 4-0
5	TTL		RF 5-0	RF 5-0	RF 5-0	RF 5-0
6	TTL		-	RF 6-0	-	RF 6-0
7	VDC		-	-	-	-
8	GND		-	-	-	-
9	Ind.1	Indicators	RF 1-0	-	RF 1-0	RF 1-0
10	Ind.2		-	RF 2-0	RF 2-0	RF 2-0
11	Ind.3		RF 3-0	RF 3-0	RF 3-0	RF 3-0
12	Ind.4		-	-	RF 4-0	RF 4-0
13	Ind.5		RF 5-0	RF 5-0	RF 5-0	RF 5-0
14	Ind.6		-	RF 6-0	-	RF 6-0
15	Ind.com		-	-	-	-

成都利德尔科技有限公司 Cheng Du Leader Microwave Technology Co.,Ltd

电话: 028-65199117 传真: 028-65199116

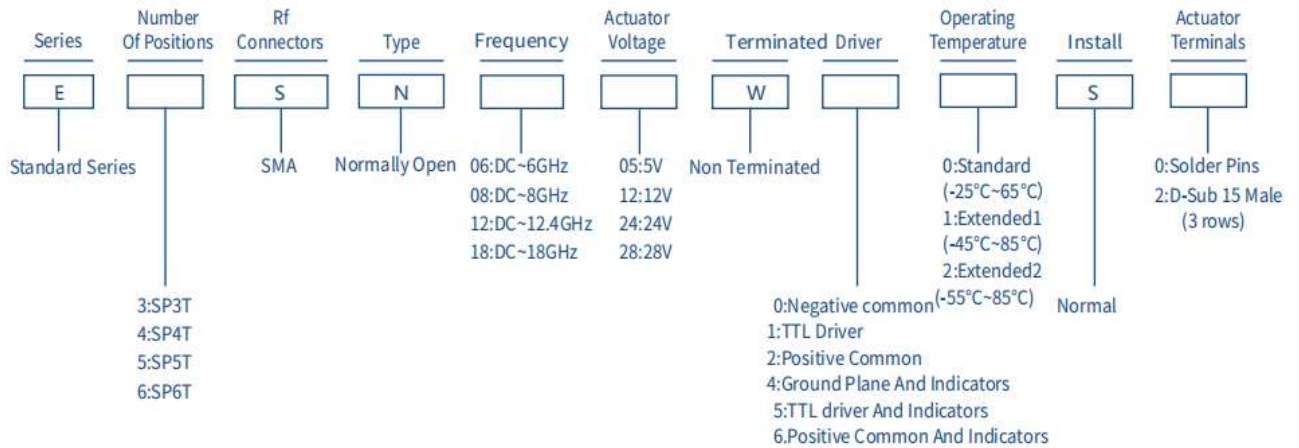
<http://www.leader-mw.com> sales@leader-mw.com

TEL: +86-28-65199117 FAX: +86-28-65199116

Add: 中国 成都市成华区华翰路 89 号 610000

No.89,Huahan Road, chenghua Zone Chengdu, Sichuan China Zip Code:610000

Product Selection



★ EXP: E3SN0605W00S0: Standard Series、SP3T、SMA、Normally Open、DC~6GHz、5V、Non Terminated、Negative common、Standard、Normal、Solder Pins.

成都利德尔科技有限公司 Cheng Du Leader Microwave Technology Co.,Ltd

电话: 028-65199117 传真: 028-65199116

<http://www.leader-mw.com> sales@leader-mw.com

TEL: +86-28-65199117 FAX: +86-28-65199116

Add: 中国 成都市成华区华翰路 89 号 610000

No.89,Huahan Road, chenghua Zone Chengdu, Sichuan China Zip Code:610000